



AV-TEK[®]

VALVES THAT REDEFINE INDUSTRY STANDARDS



CLEAN WATER AIR VALVES
KINETIC TYPE

AIR VALVES

TRIPLE FUNCTION COMPACT INTEGRATED PA VERSION

SPECIAL FEATURES

- Single type, compact, fully automatic triple function, for releasing air under pressure, during pipe filling and introducing air in (anti-vacuum) during pipe emptying.
- Performances according to the requirements of EN 1074.
- Body, cover, and float, from plastic material.
- Special rolling gasket for reliable function.
- Exhaust supplied with female NPT threads
- Easily disassembles for inspection and maintenance.
- NPT Male Threaded Connection
- Fully UV-resistant
- Minimum operating pressure for water tight sealing: 3-7 psi.

MATERIALS

Body:
Polyamide (PA) fiberglass reinforced

Float:
Polypropylene foam

Rolling Gasket:
Silicon rubber, potable water approved

O-Rings:
EPDM rubber, NSF 61 Certified



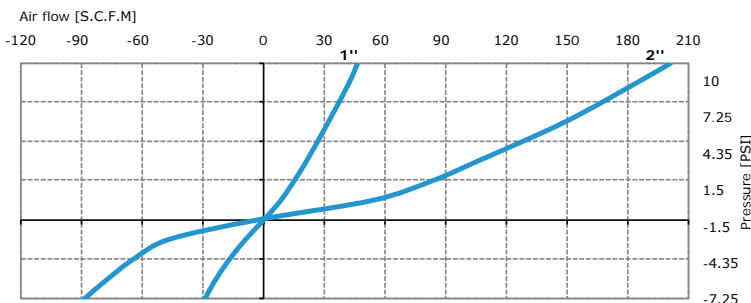
Certified to
NSF/ANSI 61 & 372

MODEL 5301 | PSI: 350 | Size 1"
Male NPT threaded connection
MODEL 5302 | PSI: 250 | Size 2"
Male NPT threaded connection

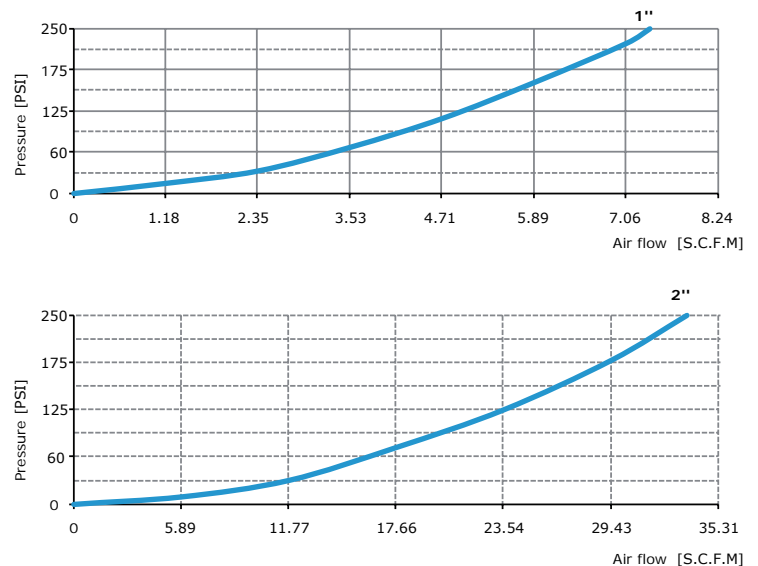
d2	Pressure Range (PSI)	H	D	d1	d3	Weight(lb)
1"	3 - 350	5.6"	2.95"	3/8"	1/4"	1
2"	7 - 250	10.8"	4.4"	1" 1/2"	1/4"	2.5

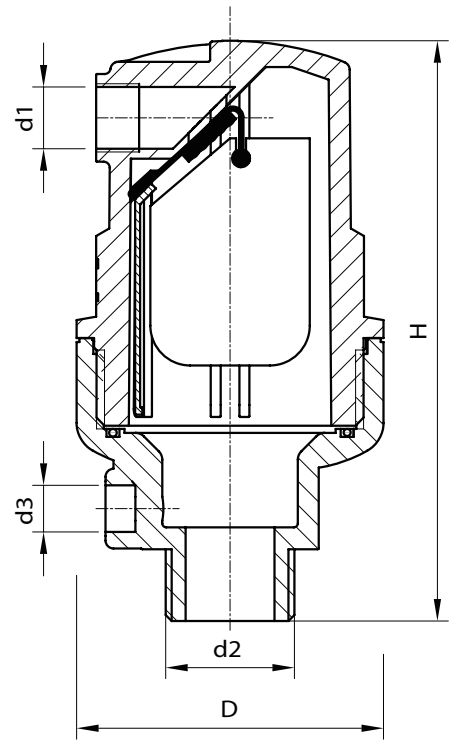
FUNTIONAL DIAGRAMS

KINETIC FUNCTION - AIR OUTFLOW AND INFLOW



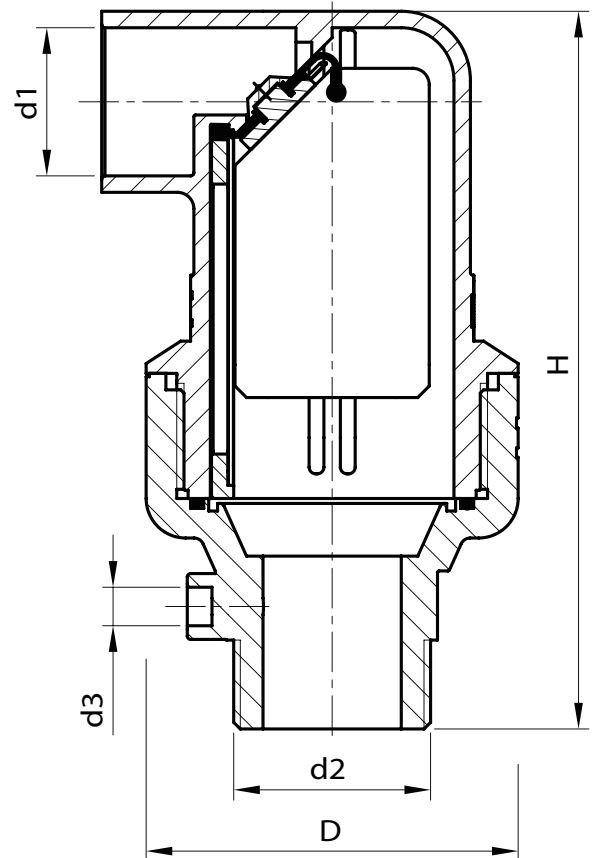
KINETIC FUNCTION - RELEASING AIR UNDER PRESSURE





DETAIL A:

Brass pressure discharge valve (optional)



All metal, rubber, and coatings used have been designed for contact with water for human consumption, pursuant to the terms of Italian Health Ministry decree n° 174, dated 6/4/2004. All materials used meet NSF 61 requirements.

AIR VAC VALVES

SPECIAL FEATURES

- Single large orifice type, fully automatic double function for releasing air during pipe filling and bringing air in (anti-vacuum) during pipe emptying.
- Performances according to the requirements of EN 1074.
- Body and cover high quality polyamide heat powder coated (fusion bonded), coating thickness DFT 250 microns min. zero porosity (tested with 3000V), high impact resistance and cross linkage.
- Float is 316 SST
- Top cover provided with threaded tap to add air valve connection if the valve ever needs to be changed to a combination.
- Valve body provide with drain port for easy clean out and flushing purposes
- Cover has an integrated drain port to allow for easy draining of media once past the float.
- ANSI 150 Flanged connection
- Minimum operating pressure for watertight: 7 psi, Maximum operating pressure: 250 psi

MATERIALS

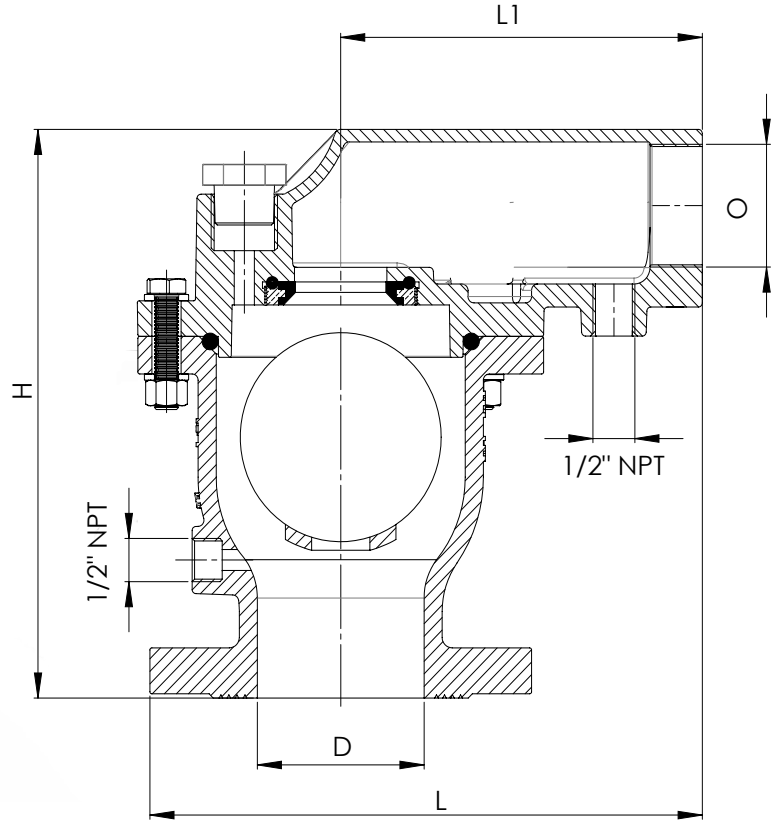
- Body and cover:
Ductile iron ASTM A536-65-45-12
- Float:
Stainless steel AISI16
- Seat:
EPDM with Brass seat Retainer
- Seat sealing:
Outlined EPDM rubber
- **O_Rings:**
EPDM rubber
- **Bolts/nuts/washers:**
Stainless steel 304 - 316 SST upon request.
- **Plugs:**
304 - 316 Stainless Steel



Certified to
NSF/ANSI 61 & 372

MODEL 5330 | **PSI: 250** | **Size 3"**
 Flanged connection
MODEL 5340 | **PSI: 250** | **Size 4"**
 Flanged connection

3" - 4"



D	Pressure Range	H	L	L1	O (NPT)
3"	7-250 psi	10.7"	10.82"	7.08"	2"
4"	7-250 psi	11.88"	12.38"	7.87"	2.5"

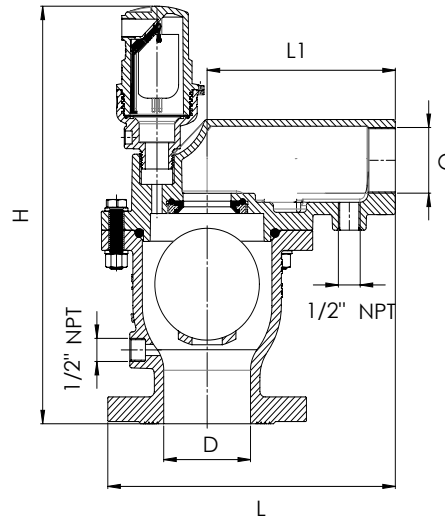
COMBINATION AIR VALVES

SPECIAL FEATURES

- Double orifice type, fully automatic triple function for releasing air during pipe filling and bringing air in (anti-vacuum) during pipe emptying, releasing air under pressure.
- Kinetic function carried out by ductile iron unit, air releasing under pressure executed by PA unit.
- Performances according to the requirements of EN 1074.
- Body and cover high quality polyamide (Rilsan – PA11) powder coated (fusion bonded), coating thickness DFT min. 250 micron, zero porosity (tested with 3000V), high impact resistance and cross-linkage according to DIN 30677-2 and DIN 3476.
- Floats AISI 304SST.
- ANSI 150 Flanged connection.
- Minimum operating pressure for watertight: 7 psi.

MATERIALS

- Body and cover:
Kinetic unit - Ductile iron ASTM A536-65-45-12
Air release unit - Polyamide PA fiber glass reinforced
- Float:
Stainless steel AISI316, 250 psi
- Seat sealing:
Outlined EPDM rubber
- **Seat:**
EPDM with Brass seat Retainer
- **O_Rings:**
EPDM rubber
- **Bolts/nuts/washers:** Stainless steel 304 - 316 SST upon request.
- **Plugs:**
304 - 316 Stainless Steel

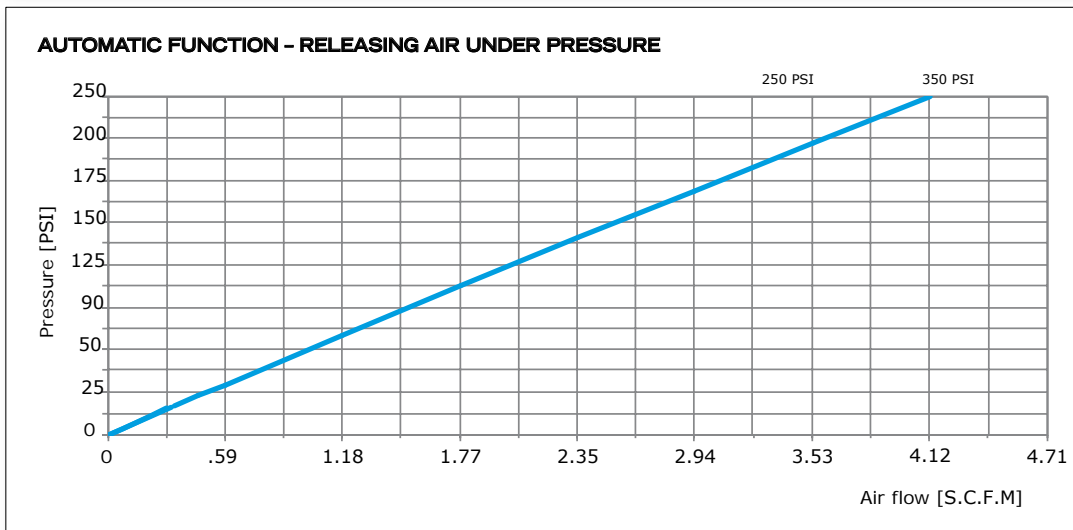
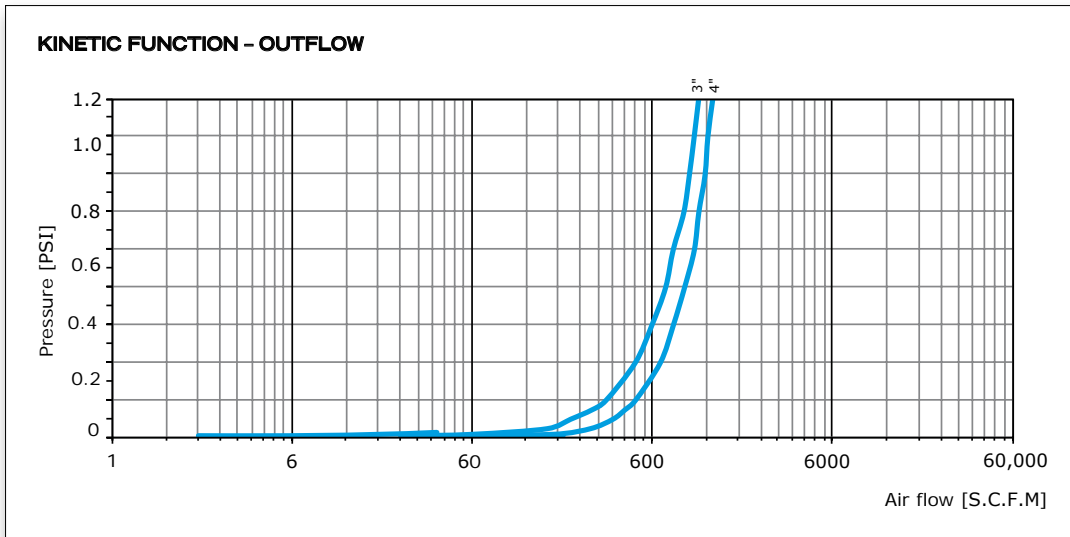
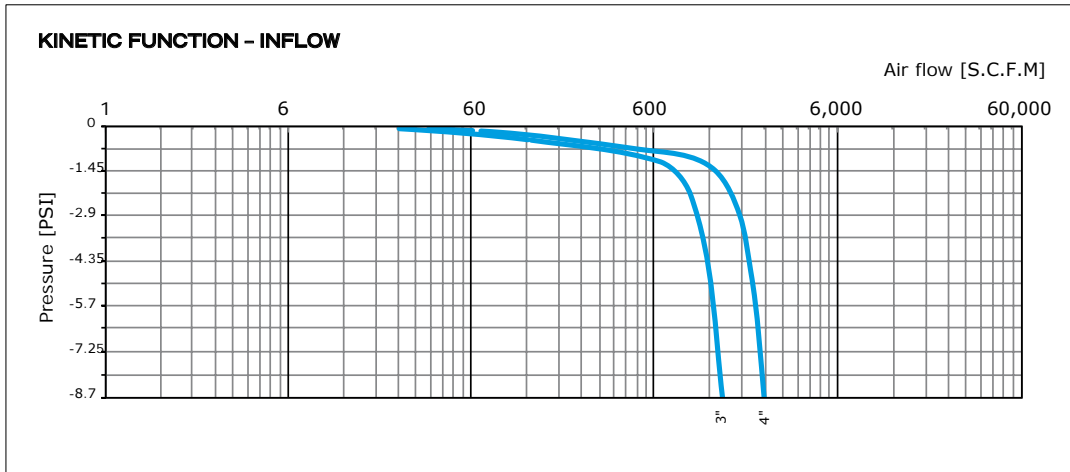


D	Pressure Range	H	L	L1	O (NPT)
3"	7-250 psi	14.7"	10.82"	7.08"	2"
4"	7-250 psi	15.63"	12.38"	7.87"	2.5"

MODEL 5331 | PSI: 250 | Size 3"
Flanged connection

MODEL 5341 | PSI: 250 | Size 4"
Flanged connection

FUNTIONAL DIAGRAMS





Av-Tek® Inc. offers modern solutions for the persistent problems facing water users, plant operators, and engineering firms. Our technology far exceeds the current options in the marketplace, and clients are quickly realizing Av-Tek® is setting a new standard for quality, performance, and craftsmanship.

The Av-Tek® DEX double eccentric butterfly valve is a primary example of our superior design and quality, and comes with options available to match any market needs. With hard rubber lining, aluminum bronze discs, and certified to meet the most stringent requirements, you can rest assured there is not a better valve on the market today.

The Av-Tek® VRX Plunger Valve has been engineered and designed for absolute control; specifically, for water applications. The VRX accompanied with an electric motor operator can function as a critical isolation, pressure, and control valve without the fear of cavitation damage.

The Av-Tek® Resilient Seated butterfly valves are a crucial part of nearly every application, and the advanced design allows for quick replacement of seats. The disc is never penetrated, ensuring this valve has a long life, free of leaks and defects.

The Av-Tek® Model 4900 is a resilient seated ball check valve with a sinking or floating ball to prevent back flow. This allows for flow passage with minimum friction loss.

The Av-Tek® Air Valves are kinetic type air valves. Single plastic type valves are a very compact version fully automatic triple function for releasing air under pressure and during pipe filling and bringing air in (anti-vacuum) during pipe emptying. Air Release, Air/Vac and Combination Triple Function Valves are available.

Contact us today for further information or any questions you may have. Our team is happy to discuss your specific situation and provide expert recommendations that will deliver long-lasting solutions for your water management needs.



Av-Tek® Inc. Valve

1310 Swaner Rd Salt Lake City, Utah 84104
 Phone: 385-325-2504 info@AvTekValves.com